

CONTROLLERS

# CONTROLLER SERIES CRA120

ESBE series CRA120 is a combined actuator and constant flow temperature controller with adjustable temperature setting within the range of 5 – 95 °C. Recommended for valves of DN65 up to DN150, especially suited for ESBE 3-way valves series F.

**OPERATION**

The ESBE series CRA120 is an actuator and controller solution, for use with mixing or diverting valves. Temperature setting is done by an easy-to-use display unit.

**MOUNTING**

Power supply by 230 V AC adapter (complete with transformer and cable) or 24 V AC (cable only).

Controller unit with display included for easy mounting on wall etc, well suited for applications where the actual valve and actuator is located in a hard-to-reach position. 1.5m cable for connection to actuator included.

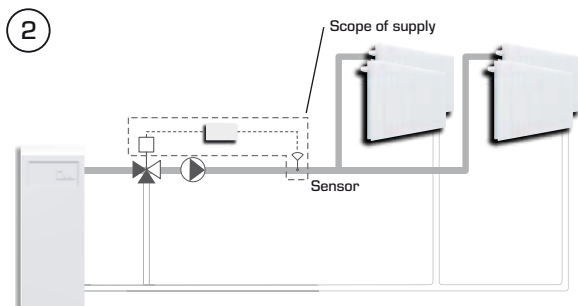
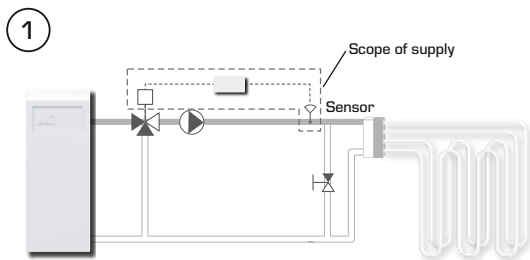
Flow pipe sensor with 1.5m cable included (longer cable available as accessory). The sensor must be carefully insulated from the ambient temperature.

The CRA120 is recommended for mounting on ESBE valves series F.

**OPTIONAL EQUIPMENT**

CRA911 Flow pipe sensor, 5m cable \_\_\_\_ Art. No. 1705 31 00  
CRB915 GSM-module \_\_\_\_ Art. No. 1705 59 00

**INSTALLATION EXAMPLES**



CRA121/CRA122/CRA125

**SUITABLE MIXING VALVES**

The controller is supplied complete with an adaptor kit for easy fitting onto an ESBE rotary mixing valve.

● Series F

**ADAPTOR KITS**

Required adaptor kits for easily fitting onto an ESBE rotary mixing valve is supplied with each actuator. If required, separate adaptor kits can be ordered as follows.

Art. No.  
1605 33 00 \_\_\_\_\_ ESBE valve series VRG, VRB  
1605 13 00 \_\_\_\_\_ ESBE valve series MG, G, F, BIV, T, TM, H, HG

Adaptor kits for other mixing valves and valves built-into boilers are available as follows:

Art. No.  
1605 35 00 \_\_\_\_\_ BRV  
1605 39 00 \_\_\_\_\_ Honeywell Centra ZR, DR, DRG, DRU  
\_\_\_\_\_(DN15–DN50)  
1605 17 00 \_\_\_\_\_ Honeywell Centra Kompakt DRK/ZRK  
1605 19 00 \_\_\_\_\_ CTC, linear movement  
1605 36 00 \_\_\_\_\_ BRV, Meibes, Oventrop, Watts  
1605 13 00 \_\_\_\_\_ Sauter MH32...H42...  
1605 25 00 \_\_\_\_\_ Siemens VBG31, VBI31, VBF21, VCI31  
1605 14 00 \_\_\_\_\_ TA–VTR, TA–STM  
1605 26 00 \_\_\_\_\_ Schneider Electric/TAC-TRV  
1605 15 00 \_\_\_\_\_ Viessmann (DN20–DN25)  
1605 18 00 \_\_\_\_\_ WITA

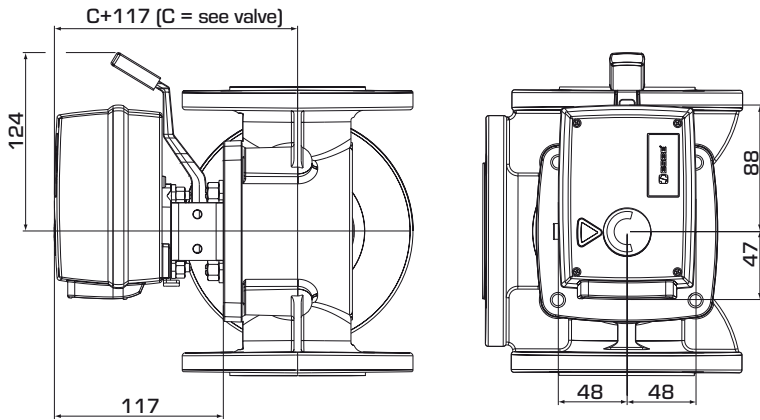
**TECHNICAL DATA**

Ambient temperature: \_\_\_\_\_ max. +55°C  
\_\_\_\_\_ min. -5°C  
Temperature range:  
Flow pipe sensor \_\_\_\_\_ +5 to +95°C  
Enclosure rating - Actuator unit: \_\_\_\_\_ IP54  
- Control box: \_\_\_\_\_ IP54  
Protection class: \_\_\_\_\_ II  
Power supply: \_\_\_\_\_ 24 ± 10% V AC, 50/60 Hz  
\_\_\_\_\_ 230 ± 10% V AC, 50 Hz  
Power consumption - 24 V AC: \_\_\_\_\_ 3 VA  
- 230 V AC: \_\_\_\_\_ 10 VA  
Torque: \_\_\_\_\_ 15 Nm  
Running time at max. speed: \_\_\_\_\_ 120s  
Weight: \_\_\_\_\_ 0.9 kg

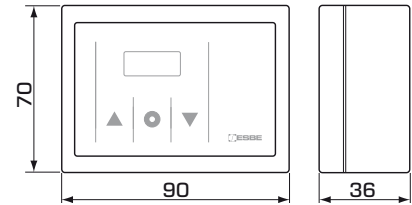
CE LVD 2006/95/EC  
EMC 2004/108/EC  
RoHS 2011/65/EC

CONTROLLERS

# CONTROLLER SERIES CRA120



Installation dimensions for Actuator Series CRA120 with ESBE series MG, G, F, T/TM, H/HG and BIV mixing valves



Installation dimensions for Control box

## SERIES CRA120

Art. No.	Reference	Voltage [V AC]	Temp. range	Torque [Nm]	Note	Replaces
1274 21 00	CRA121	230	5-95°C	15	Transformer with UK plug	1270 05 00
1274 25 00	CRA125					1270 01 00
1274 22 00	CRA122	24				

## WIRING

